

Hinges without safety switch

Zinc die casting

SPECIFICATION

Zinc die casting
plastic coated
silver metallic

Pin
Stainless Steel AISI 303

INFORMATION

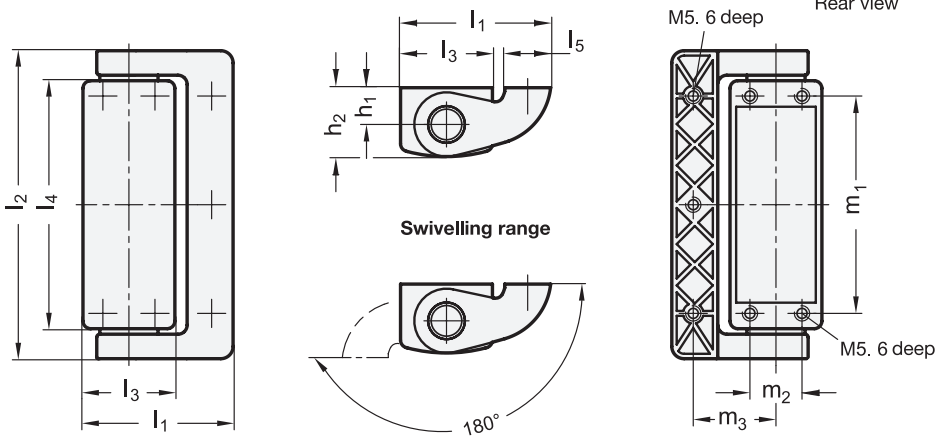
With the exception of the connector plug, hinges without safety switch GN 139.2 do not differ in their external appearance from hinges with safety switch GN 139.1 (see page 1440). With the concealed screw connection at the back, the hinge is also tamper-proof. The compact design combines safety and attractive appearance. The design with broad hinge halves is intended for mounting to glass or polycarbonate doors.

TECHNICAL INFORMATION

- Load rating information of hinges (see page A40)

MECHANICAL FEATURES

Mechanical features of Hinges GN 139.1 (see page 1440)



GN 139.2

Description	l1	l2	l3	l4	l5	h1	h2	m1	m2	m3	Δ
GN 139.2-49-101	49	101	30	81	15	12	22.5	71	17	27	308
GN 139.2-79-101	79	101	30	81	30	12	22.5	71	17	50	400

